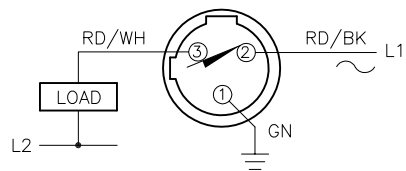


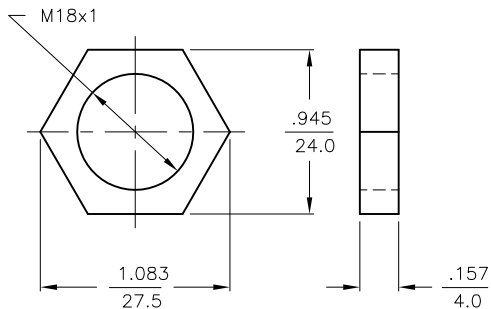
WIRING DIAGRAM



OUTPUT: RDZ30X2

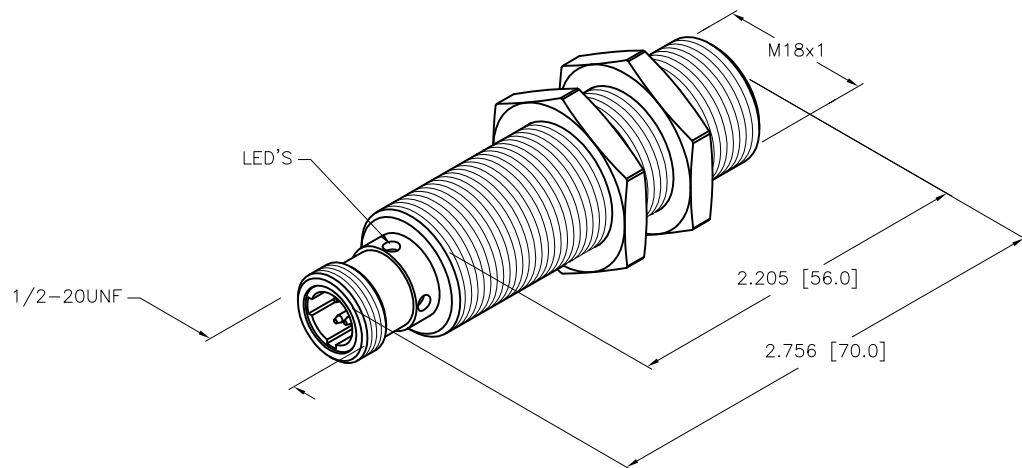
SHORT-CIRCUIT AND OVERLOAD PROTECTED.

LOCKNUT LN-M18



SPECIFICATIONS

RATED OPERATING DISTANCE	8mm = .315"
MOUNTING MODE	FLUSH
TEMPERATURE DRIFT	≤±10%
HYSTERESIS	3-15%
MIN. REPEAT ACCURACY	≤2%
OPERATING TEMPERATURE	-25°C to +70°C (-13°F to +158°F)
RATED OPERATIONAL VOLTAGE (AC/DC)	20-250 VAC/10-300 VDC
MAX. RIPPLE	≤10%
RATED OPERATIONAL CURRENT (AC/DC)	≤400 mA AC/≤300 mA DC
FREQUENCY	50-60 Hz
RESIDUAL CURRENT	≤1.7 mA
RATED INSULATION VOLTAGE	≤1.5 kV
SURGE CURRENT	≤3.0 A (≤20 ms MAX. 5 Hz)
SHORT-CIRCUIT PROTECTION	YES, LATCHING
MAX. VOLTAGE DROP	≤6.0 V
WIRE BREAKAGE PROTECTION	INCORPORATED
REVERSE POLARITY PROTECTION	INCORPORATED
MAX. SWITCHING FREQUENCY	≤0.02 kHz
SMALLEST OPERATING CURRENT	≥3.0 mA
OUTPUT FUNCTION	3-WIRE, NORMALLY CLOSED
HOUSING MATERIAL	BRASS, CHROME-PLATED
ACTIVE FACE MATERIAL	PLASTIC, PBT
CONNECTION	1/2-20UNF CONNECTOR
VIBRATION RESISTANCE	55 Hz (IN ALL 3 PLANES)
SHOCK RESISTANCE	30 g, 11 ms
DEGREE OF PROTECTION	IP67
SWITCHING STATUS INDICATION	LED, RED
OPERATING VOLTAGE INDICATION	LED, GREEN



SOURCE DRAWING - FOR REFERENCE ONLY

RELATED DOCUMENTS		3RD ANGLE PROJECTION		THIS DRAWING IS CONFIDENTIAL AND THE PROPERTY OF TURCK INC. USE OF THIS DOCUMENT WITHOUT WRITTEN PERMISSION IS PROHIBITED.		3000 CAMPUS DRIVE MINNEAPOLIS, MN 55441 1-800-544-7769 (763) 553-7300 (763) 553-0708 fax www.turck.us	
1. 2. 3. 4.				DRFT RDS DATE 04/18/07		DESCRIPTION B18-G18-RDZ30X2-B3331	
MATERIAL SEE SPECS		ALL DIMENSIONS DISPLAYED ON THIS DRAWING ARE FOR REFERENCE ONLY		APVD		SCALE 1=1.0	
FINISH		CONTACT TURCK FOR MORE INFORMATION		UNIT OF MEASUREMENT INCH [MILLIMETER]		IDENTIFICATION NO. 4209395	
D UPDATE ID NUMBER PER HARMONIZATION PROJECT		CBM 11/06/17		DO NOT SCALE THIS DRAWING		REV D	
REV DESCRIPTION		BY DATE ECO NO.		FILE: 4209395		SHEET 1 OF 1	

D	UPDATE ID NUMBER PER HARMONIZATION PROJECT	CBM	11/06/17	
REV	DESCRIPTION	BY	DATE	ECO NO.